



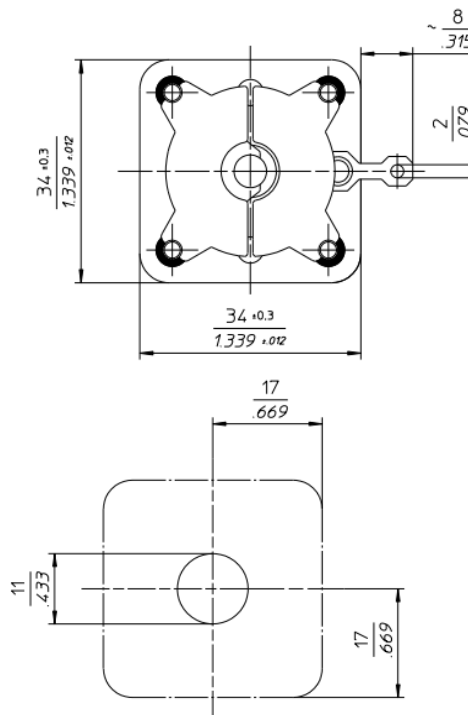
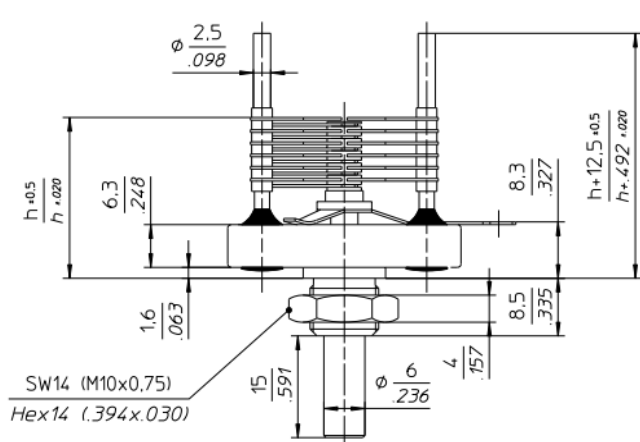
Differential Air Plate Trimmer

PPI-10-3412-xxxxx-000

PART SPECIFICATIONS

TUNING TORQUE	4.2 - 13.9 in. oz
CERAMIC	DIN 40685 / 221, siliconized
Q-FACTOR	>5000 @ 1 MHz
DIELECTRIC	Air
OPERATING TEMPERATURE	-65°C....+125°C
MOUNTING TORQUE	139 in.oz (0.394 x 0.030)

Part Number	Cmin (pF)	Cmax (pF)	No. of Plates		Air Gap (mm)	Test Voltage (~V _{eff})	IR (MΩ)	TC (ppm/°C)	Height (mm)	Weight (g)
			Stator	Rotor						
PPI-10-3412-50020-000	3.5	24.0	2x3	3.0	0.50	750	>10 ³	30 ± 30	20.6	39.0
PPI-10-3412-50050-000	4.5	50.0	2x6	6.0	0.50	750	>10 ³	30 ± 30	23.8	46.0
PPI-10-3412-50100-000	7.5	100.0	2x12	12.0	0.50	750	>10 ³	30 ± 30	34.1	60.0
PPI-10-3412-50140-000	10.0	146.0	2x17	17.0	0.50	750	>10 ³	30 ± 30	43.1	68.0
PPI-10-3412-81012-000	4.5	13.5	2x4	4.0	1.40	1800	>10 ³	20 ± 30	27.0	49.0
PPI-10-3412-81022-000	6.0	24.0	2x7	7.0	1.40	1800	>10 ³	20 ± 30	38.0	61.0
PPI-10-3412-81030-000	7.0	30.0	2x9	8.0	1.40	1800	>10 ³	20 ± 30	42.0	70.0



Dimensions are in $\frac{\text{mm}}{\text{inches}}$