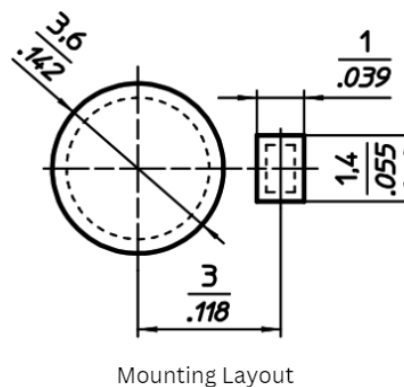
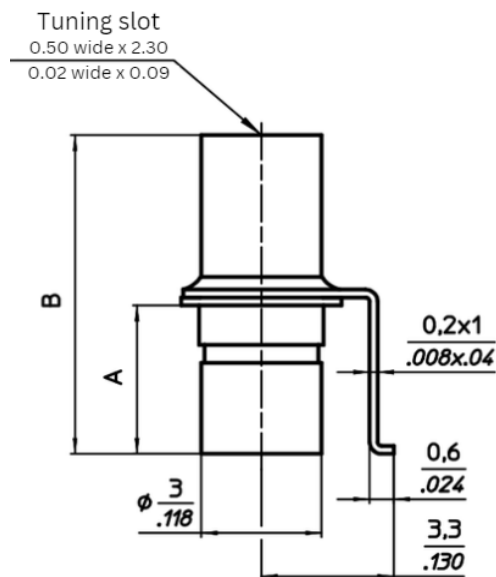


PART SPECIFICATIONS

Tuning Torque	0.14 – 1.4 in. oz.	Rotational Life	≥ 75 cycles, IEC 418
Stop Torque	max 2.1 in. oz.	Vibration	60g / 10 – 2000Hz
Mounting Torque	----	Shock	1500g / 0.5 ms
Adjustment Accuracy	≤1 x 10 ⁻³ of adjusted value	Operating Temperature	-65°C...+125°C
Contact Resistance	< 0.001Ω	Dielectric	Zirconia

Part Number	Cmin (pF)	Cmax (pF)	Test Voltage (VDC)	Q Factor @200 MHz	R _{insul.} (MΩ)	TC (ppm/°C)	Dim A (mm)	Dim B (mm)	Weight (g)
PPI-62-0304-00010-000	1.0	10.0	1000	>3000	>10 ⁶	0 ± 50	3.8	8.0	0.36
PPI-62-0304-00019-000	1.2	19.0	1000	>2000	>10 ⁶	0 ± 75	6.5	12.3	0.50
PPI-62-0334-00010-000	1.0	10.0	1000	>3000	>10 ⁶	350 ± 75	3.8	8.0	0.36
PPI-62-0334-00019-000	1.2	19.0	1000	>2000	>10 ⁶	350 ± 75	6.5	12.3	0.50



Dimensions are in $\frac{\text{mm}}{\text{inches}}$