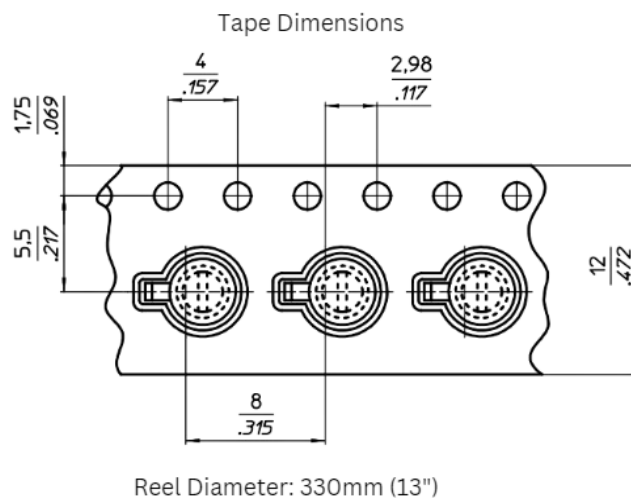
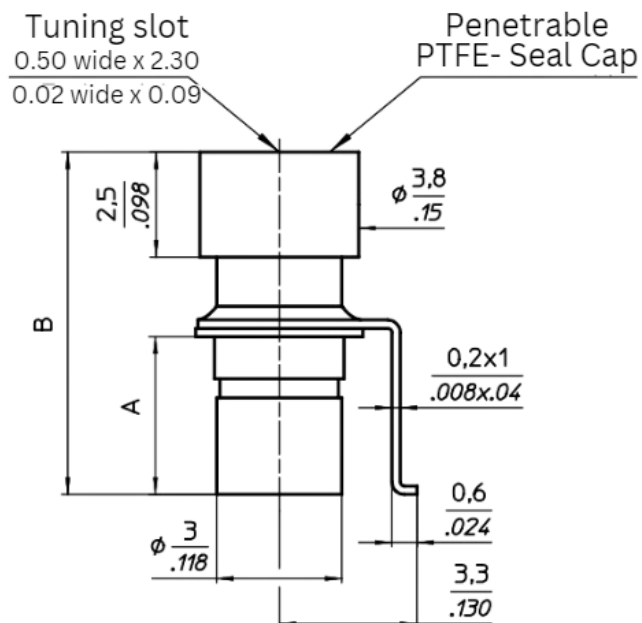


## PART SPECIFICATIONS

Part Number	Cmin (pF)	Cmax (pF)	Test Voltage (VDC)	Q Factor @200 MHz	R <sub>insul.</sub> (MΩ)	TC (ppm/°C)	Dim A (mm)	Dim B (mm)	Weight (g)
PPI-62-0304-00010-901	1.0	10.0	1000	>3000	>10 <sup>6</sup>	0 ± 50	3.8	8.1	0.40
PPI-62-0334-00010-901	1.0	10.0	1000	>3000	>10 <sup>6</sup>	350 ± 75	3.8	8.1	0.40

<b>Tuning Torque</b>	0.14 – 1.4 in. oz.	<b>Rotational Life</b>	≥ 75 cycles, IEC 418
<b>Stop Torque</b>	max 2.1 in. oz.	<b>Vibration</b>	60g / 10 – 2000Hz
<b>Mounting Torque</b>	----	<b>Shock</b>	1500g / 0.5 ms
<b>Adjustment Accuracy</b>	≤1 x 10 <sup>-3</sup> of adjusted value	<b>Operating Temperature</b>	-65°C...+125°C
<b>Contact Resistance</b>	< 0.001Ω	<b>Dielectric</b>	Zirconia



Dimensions are in  $\frac{\text{mm}}{\text{inches}}$