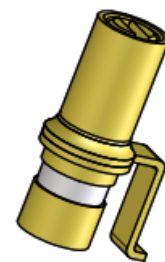
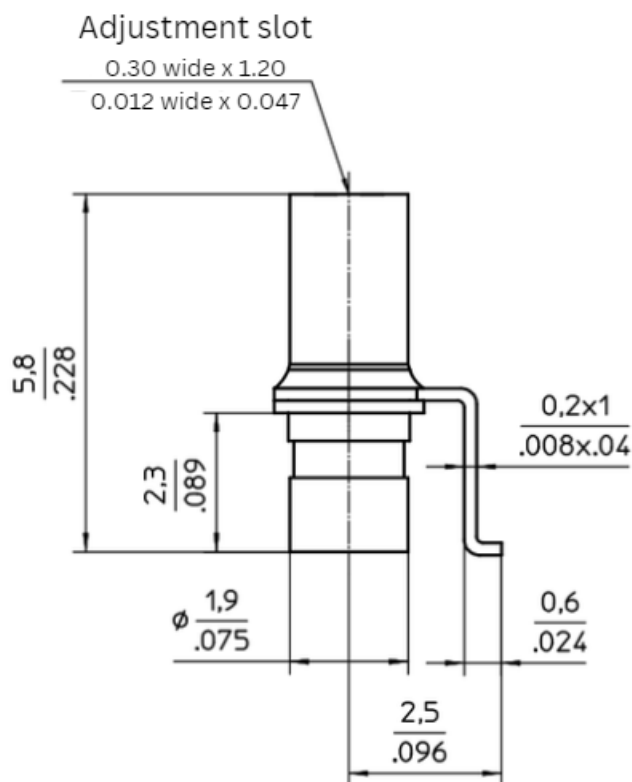


PART SPECIFICATIONS

Tuning Torque	0.10 – 1.0 in. oz.	Rotational Life	≥ 75 cycles, IEC 418
Stop Torque	max 1.1 in. oz.	Vibration	60g / 10 – 2000Hz
Mounting Torque	Max 140 in. oz.	Shock	1500g / 0.5 ms
Adjustment Accuracy	≤1 x 10 ⁻³ of adjusted value	Operating Temperature	-65°C...+125°C
Contact Resistance	< 0.001Ω	Dielectric	Zirconia

Part Number	Cmin (pF)	Cmax (pF)	Test Voltage (VDC)	Q Factor @200 MHz	R _{insul.} (MΩ)	TC (ppm/°C)	Dim A (mm)	Dim B (mm)	Weight (g)
PPI-62-0204-00002-000	0.5	2.5	1000	>5000	>10 ⁶	0 ± 50	---	---	0.15



Dimensions are in $\frac{\text{mm}}{\text{inches}}$