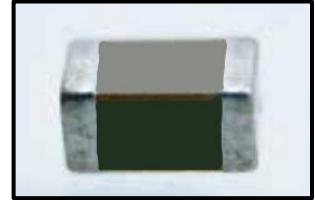


≠ Features

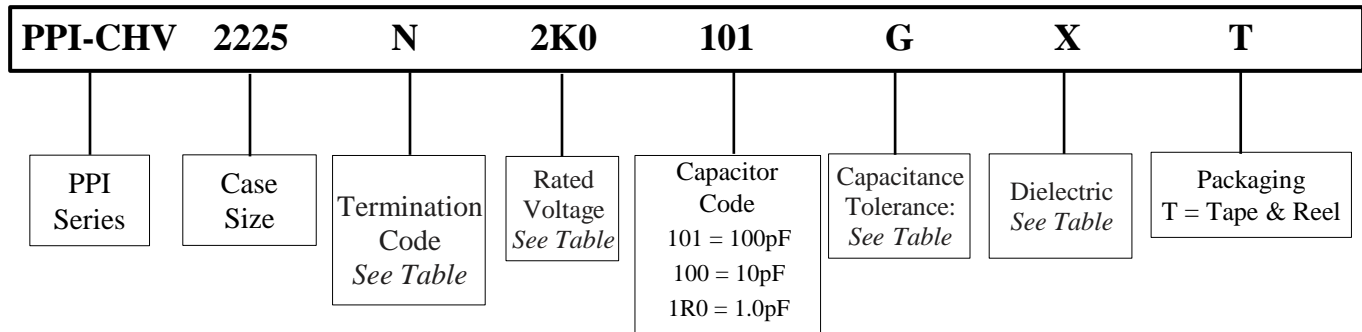
- Excellent volumetric efficiency and stability of capacitance with temperature
- High voltage capacitors
- Special internal electrode design for high voltage rating
- Surface mount suitable for wave and reflow soldering
- High Reliability
- RoHS Compliant

≠ Applications

- LAN/WLAN interface
- Back-lighting inverter, DC-DC converters
- Ballast, Modems and Power Supplies



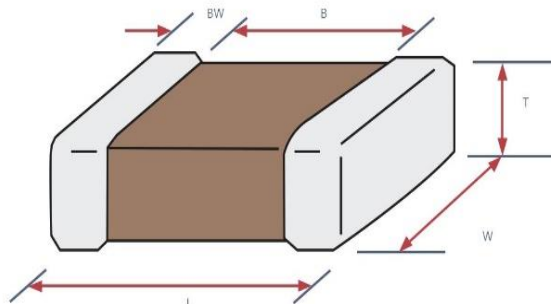
≠ Part Numbering



≠ Dimensions (mm)

Dimensions (mm)					
Size	L	W	T	B (min)	BW (min)
2225	5.70 ± 0.40	6.35 ± 0.40	*	3.50	0.30

* See Capacitance Range charts on following pages





≠ Terminations

Code	Description
F	Silver Palladium
N	Nickel Barrier
A	High Leach Resistant Silver Palladium

≠ Rated Voltages

Code	Voltage	Code	Voltage	Code	Voltage
250	250V	1K0	1KV	4K0	4KV
500	500V	2K0	2KV	5K0	5KV
630	630V	3K0	3KV		

≠ Capacitance Codes

Cap Code	Value	Cap Code	Value	Cap Code	Value
330	33pF	102	1.0nF	104	0.1uF
101	100pF	103	10nF	105	1.0uF

≠ Capacitance Tolerances

Code	B	C	F	G	J	K	M
Tol.	±0.1pF	±0.25pF	±1%	±2%	±5%	±10%	±20%

≠ Dielectric Codes

Code	C	X
	COG	X7R

≠ Performance

Dielectric Classification	C = COG / NP0 (Ultra Stable)	X = X7R (Stable)
Operating Temperature	-55°C to 125°C	-55°C to 125°C
Rated Voltage	250V – 5000V	250V – 5000V
Temperature Coefficient	≤±30ppmi/°C, -55°C ~+125°C (EIA Class I)	≤±15ppmi/°C, -55°C ~+125°C (EIA Class II)
Dissipation Factor	NP0: Q>1000	X7R: D.F. ≤2.5%
Insulation Resistance	10GΩ or 500/CΩ whichever is smaller	
Aging	NP0: 0%	X7R: Typically, 1.0% per decade of time
Dielectric Strength	100 ≤ V < 500V, 200% Rated Voltage 500 ≤ V < 1000V, 150% Rated Voltage 1000 ≤ V, 120% Rated Voltage	



± PPI-CHV SERIES: 2225

Dielectric		COG								X7R						
T (max)		3.0								3.0	2.2	2.2	2.6	1.8	2.2	2.7
Rated Voltage		250	500	630	1000	2000	3000	4000	5000	250	500	1000	2000	3000	4000	5000
Cap Value	Code															
2.0pF	2R0															
3.3pF	3R3															
3.9pF	3R9															
5.0pF	5R0															
8.2	8R2															
10	100															
12	120															
15	150															
18	180															
22	220															
27	270															
33	330															
39	390															
47	470															
56	560															
68	680															
82	820															
100	101															
120	121															
150	151															
180	181															
220	221															
270	271															
330	331															
390	391															
470	471															
560	561															
300	601															
680	681															
820	821															
1000	102															
1200	122															
1500	152															
1800	182															
2200	222															
2700	272															
3300	332															
3900	392															
4700	472															
5600	562															
6800	682															
8200	822															



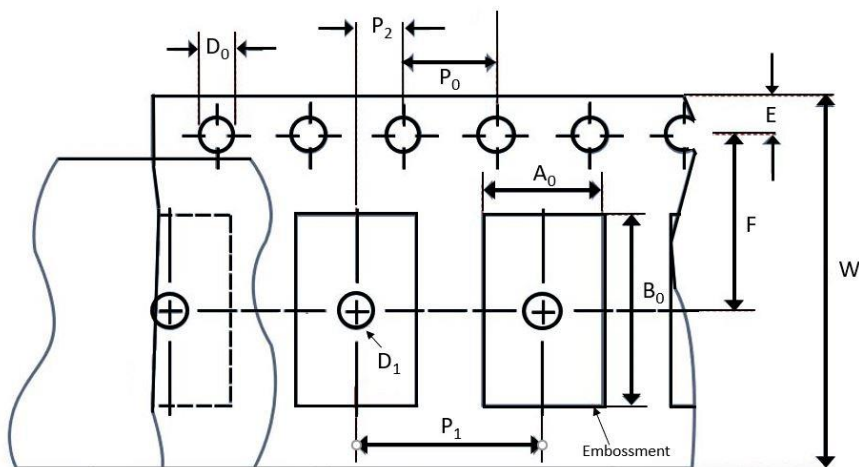
± PPI-CHV SERIES: 2225

Dielectric		COG								X7R						
T (max)		3.0								3.0	2.2	2.2	2.6	1.8	2.2	2.7
Rated Voltage		250	500	630	1000	2000	3000	4000	5000	250	500	1000	2000	3000	4000	5000
Cap Value	Code															
10nF	103															
12	123															
15	153															
18	183															
22	223															
27	273															
33	333															
39	393															
47	473															
56	563															
68	683															
82	823															
100	104															
120	124															
150	154															
180	184															
220	224															
270	274															
330	334															
390	394															
470	474															
560	564															
680	684															
820	824															
1.0uF	105															
2.2	225															
3.3	335															
4.7	475															
6.8	685															
8.2	825															
100	106															

≠ Packaging: Embossed Plastic Carrier Tape

Size	Qty per 7" Reel	Qty 10/13" Reel
2225	500, 750	1K

≠ Tape & Reel Specifications



Unit: mm

Size	W	P_0	P_1	P_2	D_0	D_1	E	F
2225	12.00 ± 0.30	4.00 ± 0.10	8.00 ± 0.10	2.00 ± 0.05	1.50 ± 0.10	1.00 ± 0.10	1.75 ± 0.10	5.50 ± 0.05

A_0 B_0

- Determined by component size to minimize rotation.
- The component cannot rotate more than 20° within the determined cavity.