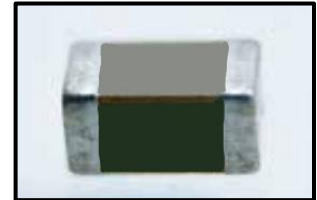


≠ Features

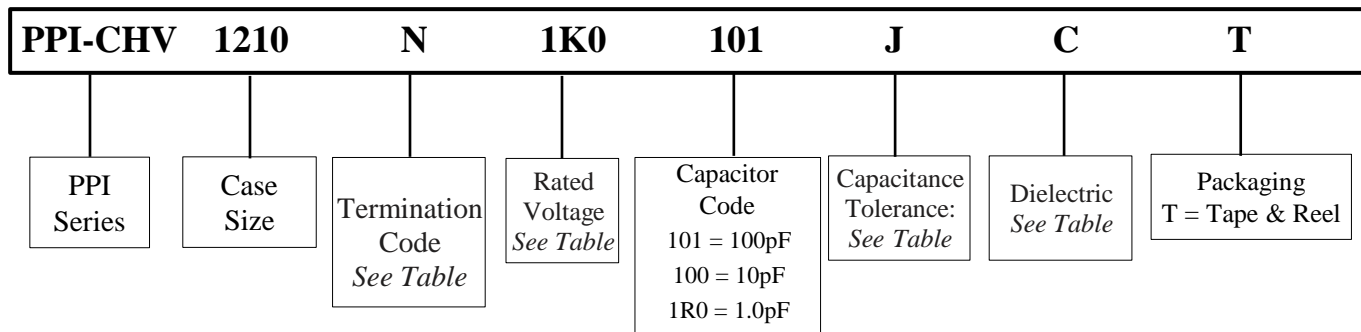
- Excellent volumetric efficiency and stability of capacitance with temperature
- High voltage capacitors
- Special internal electrode design for high voltage rating
- Surface mount suitable for wave and reflow soldering
- High Reliability
- RoHS Compliant

≠ Applications

- LAN/WLAN interface
- Back-lighting inverter, DC-DC converters
- Ballast, Modems and Power Supplies



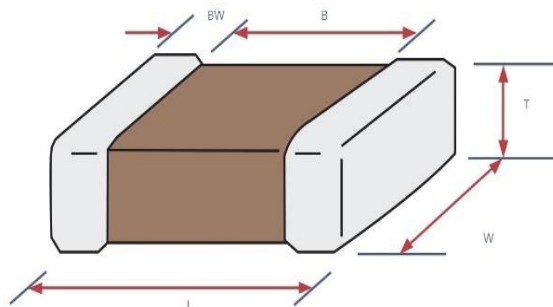
≠ Part Numbering



≠ Dimensions (mm)

Dimensions (mm)					
Size	L	W	T	B (min)	BW (min)
1210	3.20 ± 0.30	2.50 ± 0.20	*	1.60	0.30

* See Capacitance Range charts on following pages



≠ Terminations

Code	Description
F	Silver Palladium
N	Nickel Barrier
A	High Leach Resistant Silver Palladium

≠ Rated Voltages

Code	Voltage	Code	Voltage
250	250V	1K0	1KV
500	500V	1K5	1.5KV
630	630V	2K0	2KV

≠ Capacitance Codes

Cap Code	Value	Cap Code	Value	Cap Code	Value	Cap Code	Value
5R0	5.0pF	101	100pF	103	10nF	105	1.0uF
100	10pF	102	1.0nF	104	100nF		

≠ Capacitance Tolerances

Code	B	C	F	G	J	K	M
Tol.	±0.1pF	±0.25pF	±1%	±2%	±5%	±10%	±20%

≠ Dielectric Codes

Code	C	X
	COG	X7R

≠ Performance

Dielectric Classification	C = COG / NP0 (Ultra Stable)	X = X7R (Stable)
Operating Temperature	-55°C to 125°C	-55°C to 125°C
Rated Voltage	250V – 1500V	250V – 2000V
Temperature Coefficient	≤±30ppmi/°C, -55°C ~+125°C (EIA Class I)	≤±15ppmi/°C, -55°C ~+125°C (EIA Class II)
Dissipation Factor	NP0: Q>1000	X7R: D.F. ≤2.5%
Insulation Resistance	10GΩ or 500/CΩ whichever is smaller	
Aging	NP0: 0%	X7R: Typically, 1.0% per decade of time
Dielectric Strength	100 ≤ V < 500V, 200% Rated Voltage 500 ≤ V < 1000V, 150% Rated Voltage 1000 ≤ V, 120% Rated Voltage	



± PPI-CHV SERIES: 1210

Dielectric		COG					X7R				
T (max)		2.2					2.6	2.2	2.6	2.6	2.6
Rated Voltage		250	500	630	1000	1500	250	500	1000	1500	2000
Cap Value	Code										
2.0pF	2R0										
3.3pF	3R3										
3.9pF	3R9										
5.0pF	5R0										
8.2	8R2										
10	100										
12	120										
15	150										
18	180										
22	220										
27	270										
33	330										
39	390										
47	470										
56	560										
68	680										
82	820										
100	101										
120	121										
150	151										
180	181										
220	221										
270	271										
330	331										
390	391										
470	471										
560	561										
680	681										
820	821										
1.0nF	102										
1.2	122										
1.5	152										



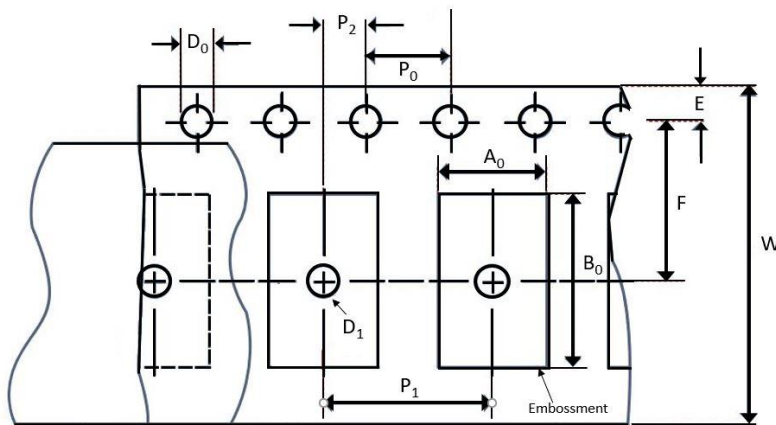
± PPI-CHV SERIES: 1210

Dielectric		COG					X7R				
T (max)		2.2					2.6	2.2	2.6	2.6	2.6
Rated Voltage		250	500	630	1000	1500	250	500	1000	1500	2000
Cap Value	Code										
1.8	182										
2.2	222										
2.7	272										
3.3	332										
3.9	392										
4.7	472										
5.6	562										
6.8	682										
8.2	822										
10nF	103										
12	123										
15	153										
18	183										
22	223										
27	273										
33	333										
39	393										
47	473										
56	563										
68	683										
82	823										
100	104										
124	124										
154	154										
184	184										
224	224										
274	274										
334	334										
394	394										
564	564										
684	684										
824	824										
1.0uF	105										
2.2	225										

≠ Packaging: Embossed Plastic Carrier Tape

Size	Qty per 7" Reel	Qty 10/13" Reel
1210	1K, 2K, 3K	4K

≠ Tape & Reel Specifications



Unit: mm

Size	W	P_0	P_1	P_2	D_0	D_1	E	F
1210	8.00 ± 0.30	4.00 ± 0.10	4.00 ± 0.10	2.00 ± 0.05	1.50 ± 0.10	1.00 ± 0.10	1.75 ± 0.10	3.50 ± 0.05

A_0 B_0

- Determined by component size to minimize rotation.
- The component cannot rotate more than 20° within the determined cavity.