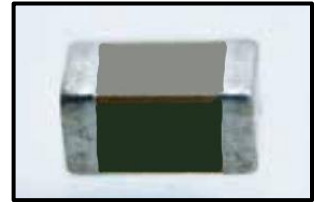


≠ Features

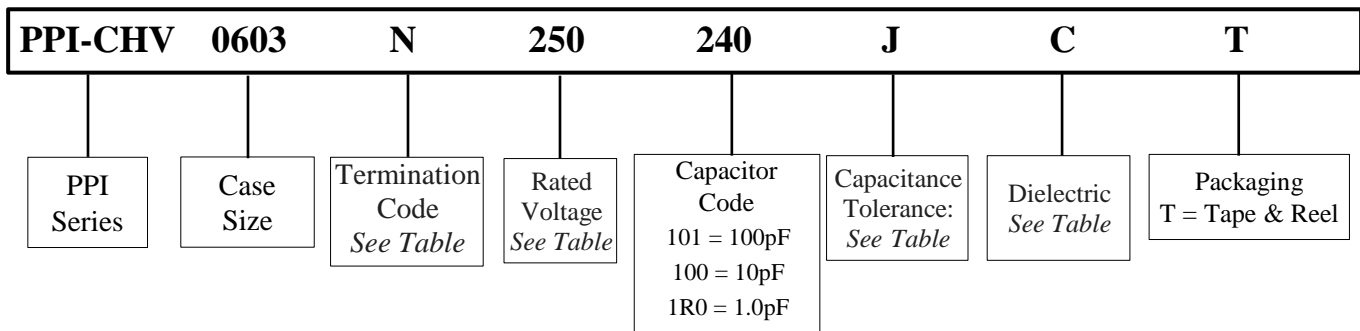
- Excellent volumetric efficiency and stability of capacitance with temperature
- High voltage capacitors
- Special internal electrode design for high voltage rating
- Surface mount suitable for wave and reflow soldering
- High Reliability
- RoHS Compliant

≠ Applications

- LAN/WLAN interface
- Back-lighting inverter, DC-DC converters
- Ballast, Modems and Power Supplies



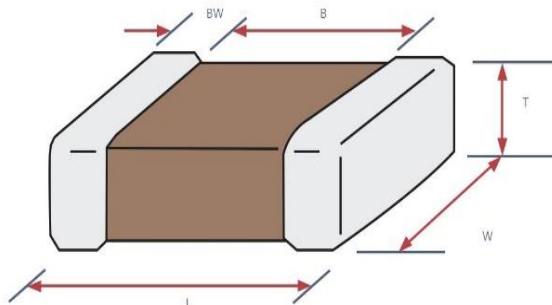
≠ Part Numbering



≠ Dimensions (mm)

Dimensions (mm)					
Size	L	W	T	B (min)	BW (min)
0603	1.60 ± 0.10	0.80 ± 0.10	*	0.40	0.15

* See Capacitance Range charts on following pages





≠ Terminations

Code	Description
F	Silver Palladium
N	Nickel Barrier
A	High Leach Resistant Silver Palladium

≠ Rated Voltages

Code	Voltage
250	250V
500	500V
1K0	1KV

≠ Capacitance Codes

Cap Code	Value	Cap Code	Value	Cap Code	Value
1R0	1.0pF	101	100pF	103	10nF
100	10pF	102	1.0nF		

≠ Capacitance Tolerances

Code	B	C	F	G	J	K	M
Tol.	±0.1pF	±0.25pF	±1%	±2%	±5%	±10%	±20%

≠ Dielectric Codes

Code	C	X
	COG	X7R

≠ Performance

Dielectric Classification	C = COG / NP0 (Ultra Stable)	X = X7R (Stable)
Operating Temperature	-55°C to 125°C	-55°C to 125°C
Rated Voltage	250V – 1000V	250V – 1000V
Temperature Coefficient	≤±30ppmi/°C, -55°C ~+125°C (EIA Class I)	≤±15ppmi/°C, -55°C ~+125°C (EIA Class II)
Dissipation Factor	NP0: Q>1000	X7R: D.F. ≤2.5%
Insulation Resistance	10GΩ or 500/CΩ whichever is smaller	
Aging	NP0: 0%	X7R: Typically, 1.0% per decade of time
Dielectric Strength	100 ≤ V < 500V, 200% Rated Voltage 500 ≤ V < 1000V, 150% Rated Voltage 1000 ≤ V, 120% Rated Voltage	



± PPI-CHV SERIES: 0603

Dielectric		COG	X7R		
T (max)		0.95	0.95	0.95	0.95
Rated Voltage		250	250	500	1000
Cap Value (pF)	Code				
1.0pF	1R0				
1.3pF	1R3				
1.5pF	1R5				
1.8pF	1R8				
2.0pF	2R0				
2.2pF	2R2				
2.4pF	2R4				
2.5pF	2R5				
2.7pF	2R7				
2.0pF	3R0				
3.3pF	3R3				
3.6pF	3R6				
3.9pF	3R9				
4.0pF	4R0				
4.7pF	4R7				
5.0pF	5R0				
5.1pF	5R1				
5.6pF	5R6				
6.0pF	6R0				
6.8pF	6R8				
7.0pF	7R0				
7.5pF	7R5				
8.0pF	8R0				
8.2pF	8R2				
9.0pF	9R0				
9.1pF	9R1				
10	100				
12	120				
13	130				
15	150				
16	160				
18	180				
20	200				
22	220				
24	240				
27	270				
30	300				
33	330				
36	360				
39	390				
43	430				
47	470				
51	510				
56	560				
62	620				
68	680				
75	750				
82	820				
91	910				



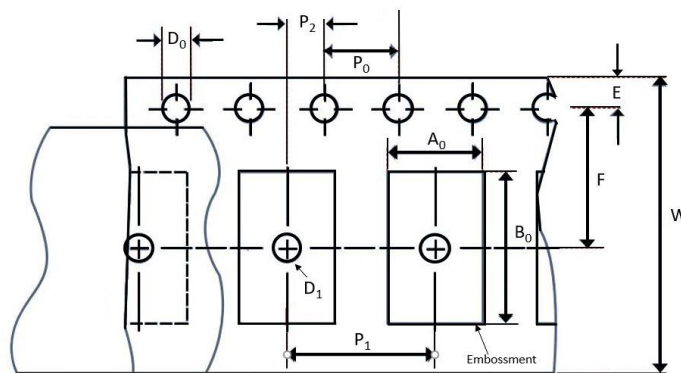
± PPI-CHV SERIES: 0603

Dielectric		COG	X7R		
T (max)		0.95	0.95	0.95	0.95
Rated Voltage		250	250	500	1000
Cap Value (pF)	Code				
100	101				
120	121				
130	131				
150	151				
160	161				
180	181				
200	201				
220	221				
240	241				
270	271				
300	301				
330	331				
360	361				
390	391				
430	431				
470	471				
510	511				
560	561				
621	621				
680	681				
750	751				
820	821				
910	911				
1.0nF	102				
1.2	122				
1.3	132				
1.5	152				
1.6	162				
1.8	182				
2.0	202				
2.2	222				
2.7	272				
3.3	332				
3.9	392				
4.7	472				
5.6	562				
6.8	682				
8.2	822				
10	103				
12	123				
15	153				
18	183				
22	223				
27	273				
33	333				
39	393				
47	473				
56	563				
68	683				

≠ Packaging: Cardboard Carrier Tape

Size	Qty per 7" Reel
0603	4K

≠ Tape & Reel Specifications



Unit: mm

Size	W	P_0	P_1	P_2	D_0	D_1	E	F
0603	8.00 ± 0.30	4.00 ± 0.10	4.00 ± 0.10	2.00 ± 0.05	1.55 ± 0.10	1.00 ± 0.10	1.75 ± 0.10	3.50 ± 0.05

A_0 B_0

- Determined by component size to minimize rotation.
- The component cannot rotate more than 20° within the determined cavity.